



PROJECT		REF		REV	ITEM CODE	
LOCATION		DATE			PAGE	

SANITARY WARE SPECIFICATION SHEET

Item Descriptions	GROHE (Germany) "Grandera" Thermostatic bath & shower mixer trim with 2-way diverter and concealed body
Dimensions	L210 x W103 x H210 mm
Model	19948IG0 (Thermostatic mixer) 35500000 (Mounting box)
Finish	Chrome Plated & Gold
Country of origin	Germany
Manufacturer	GROHE Limited
Supplier	Acme Sanitary Ware Co. Ltd Mr. Eric Wong/ Mr. Don Yuen
Contact Tel/Fax	(852) 2388-7171 / (852) 2710-8012
E-mail	acme@acmesanitary.com.hk
Website	www.acmesanitary.com.hk

Illustration/ Drawing

Colour options:

● 000 StarLight Chrome	● IG0 Chrome/Gold
● DC0 SuperSteel	● GL0 Cool Sunrise
● DA0 Warm Sunset	● GN0 Brushed Cool Sunrise
● A00 Hard Graphite	● DL0 Brushed Warm Sunset
● AL0 Brushed Hard Graphite	● BE0 Polished Nickel
	● EN0 Brushed Nickel

<p>"Grandera" Thermostatic bath/shower mixer with integrated 2-way diverter</p> <ul style="list-style-type: none"> · set for final installation for 35 050 000 · without concealed body · GROHE StarLight chrome finish · GROHE SafeStop safety button at 38°C (calibration required) · GROHE SafeStop Plus optional temperature limiter at 43°C included · GROHE AquaDimmer Eco with multiple function: <ul style="list-style-type: none"> · shut off and flow control · diverter: hand shower/bath spout · Integrated Eco-Button with Eco-Stop for shower · wall escutcheon with GROHE QuickFix (covered escutcheon- and shaft sealing, covered fixing) · metal handles 	<p>"GROHE Rapido T" Thermostatic mixer for concealed installation</p> <ul style="list-style-type: none"> · for use with Grotherm Special · without finishing trim set · flat installation depth 70 - 95 mm · easy to install, premounted and tested unit · GROHE TurboStat compact cartridge with wax thermoelement · two top outlets 1/2", lockable · high flow rate up to 50 l/min. by use of three outlets · bottom outlet 1/2" can be used only with separate stop valve · safe to install, stable built-in-box and protective cap · fixation options for solid walls and dry cladding · material for wall sealing included · Aquadimmer-diverter for bath mixer or stop valve for shower mixer in finishing trim set · body of DR brass · built-in non return valves and dirt strainers · GROHE EcoJoy technology for less water and perfect flow · min. recommended pressure 1.0 bar
---	---

Note: [YouTube \(35500000 Grohe Rapido T Universal\) https://www.youtube.com/watch?v=M5vICM45qkE](https://www.youtube.com/watch?v=M5vICM45qkE)

* All information of the above is for the reference only. No prior notice is made if any changes.



Acme Sanitary Ware Co Ltd

Acme Building, 22-28 Nanking Street, Kowloon, Hong Kong
Tel: 2388 7171 Fax: 2710 8012
E-mail: acme@acmesanitary.com.hk
Website: www.acmesanitaryware.com.hk



Pure Freude
an Wasser

PROJECT		REF		REV	ITEM CODE	
LOCATION		DATE			PAGE	

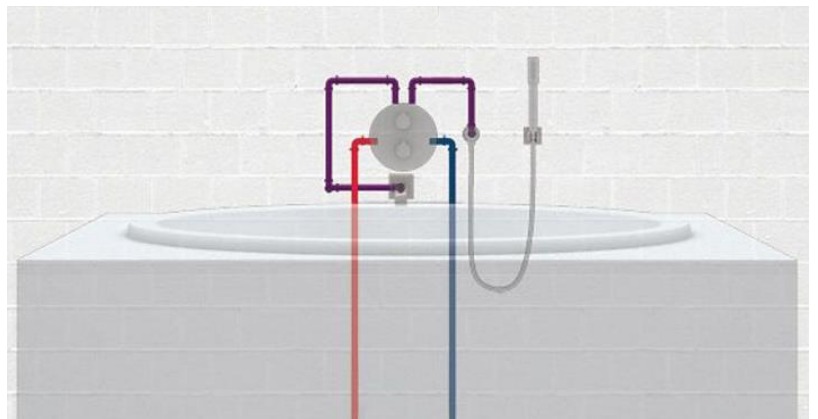
SANITARY WARE SPECIFICATION SHEET

GROHE GRANDERA

TOMORROW'S GRAND STYLE

The GROHE Grandera collection is both a homage to an age of grandeur long past and an affirmation of modern sensibility, combining the highest standards of quality and craftsmanship with a love of detail and comfort.

Stylistically, the Grandera collection can be combined with a wide range of bathroom furnishings, with the added flexibility of two colors – chrome and chrome / gold.



Easy to clean thanks to the GROHE StarLight chrome coating

Just wipe the tap down with a dry cloth – the ultra smooth surface finish is scratch resistant and ensures a lasting luminous sheen. You'll save plenty of time cleaning while your tap always looks shiny and new.



GROHE SafeStop (Plus) – double scalding protection at 38°C and (optional) 43°C

Great for homes with children, this safety feature is set at 38°C, preventing you from turning up the water temperature too high. If desired, higher temperatures can be selected by pushing the button. Optional for extra safety: the easy-to-fit GROHE SafeStop Plus limiter ensures that the temperature does not exceed 43°C.



GROHE QuickFix Plus quick and easy installation in a few simple steps

Save time on the installation of your tap with GROHE QuickFix Plus. Consisting of fewer parts, our new system makes the installation process quicker and easier than ever.



Constant water temperature thanks to reliable GROHE TurboStat technology

Our precise control technology ensures an instant water flow at the desired temperature and keeps it constant irrespective of any fluctuations in water pressure or supply.



GROHE EcoJoy with water-saving function for reduced consumption

GROHE EcoJoy reduces water consumption by up to 50% without compromising on performance. Whenever you turn on your tap, you will enjoy a full jet of water while saving money nonetheless.

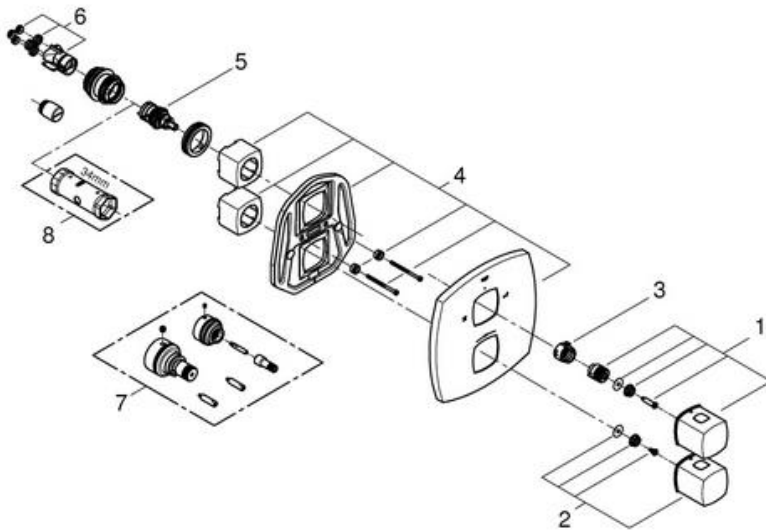
Note:

* All information of the above is for the reference only. No prior notice is made if any changes.



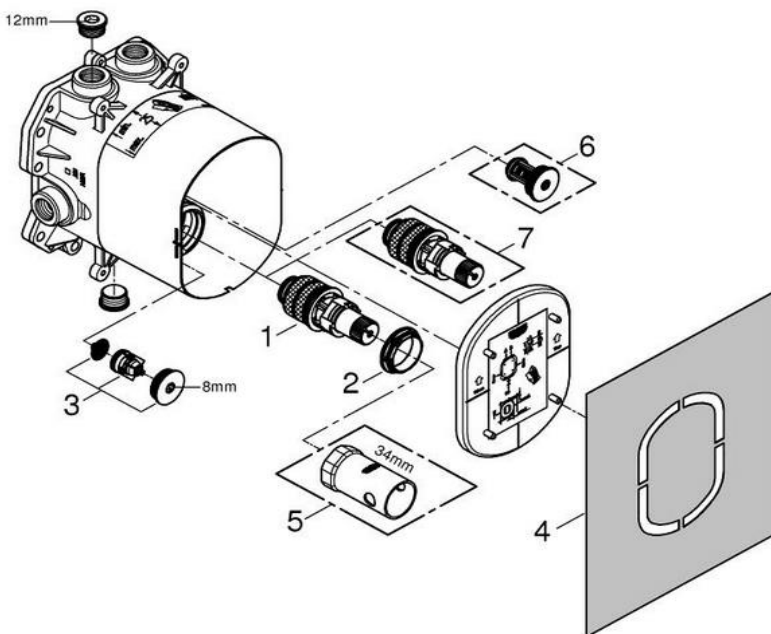
PROJECT		REF		REV	ITEM CODE	
LOCATION		DATE			PAGE	

SANITARY WARE SPECIFICATION SHEET



Pos.-nr.	Prod. Description	Order-nr.
1	handle	47933IG0
2	Temperature control handle	47934IG0
3	Stop ring	47922000
4	Escutcheon	47932000
5	Aquadimmer	47364000
6	Adapter	12701000
7	Extension-set 27.5 mm	47781000*
8	Socket spanner	19332000*

* Optional accessories



Pos.-nr.	Prod. Description	Order-nr.
1	Thermostatic compact cartridge 3/4"	47483000
2	Fitting ring	47765000
3	Non-return valve	47753000
4	Repl. kit f. seal	48263000
5	Socket spanner	19332000*
6	Safety combination (DIN EN 1717)	29007000*
7	Thermostatic compact cartridge 3/4"	47186000*

* Optional accessories

Note:

* All information of the above is for the reference only. No prior notice is made if any changes.